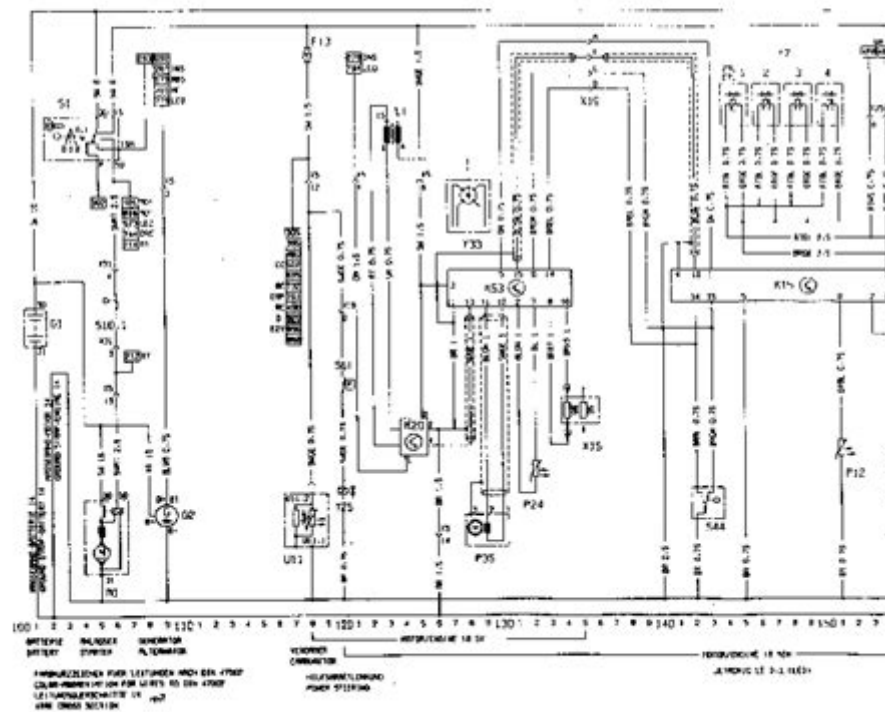


Stromlaufplan I

F 13	Sicherung für Gemischvorwärmung	118
G1	Batterie	101
G2	Generator	101, 109
K23	Zündungsmotul-Zündspule	123, 124
L1	Zündspule	123
M1	Anlasser	105-109
P24	Geber Öltemperatur, EGT	132
P35	Impulsgeber-Kurbelwelle	128-130
S1	Zünd-Arbeits-Schalter	103, 109
S10	Schalter ZSB-Automatikgebläse	
S10.1	Schalter-Automatikgebläse, Anlasser	103
S81	Druckhalter-Hilfskraftföhrung	120
U11	Vergaser ZSB	
U11.1	Thermoschventil	118
U11.2	Vergaservorwärmung	117
Y25	Magnventil-Drehstrahlhebung	120
Y33	Zündventil-ME-15V	128
X5	Kabelsatz-Stecker, Armaturentafel und Motor, 14-polig	105, 106, 118, 121, 123, 126

X15	Stecker für Ölkonzentri, 3-polig	134, 135
X19	Kabelsatz-Stecker, Motor und Jetron-120	
X31	Armaturentafel und Schalter-AT 5-polig (ZMS-II)	106
F16	Sicherung im Sicherungskasten	158
K15	Steuergerät für Einspritzanlage	141-154
K58	Kraftstoffpumpe	155-160
M21	Kraftstoffpumpe	158
P12	Temperaturgeber für K6hlmittel	151
S44	Drosselklappenschalter	142, 143
Y5	Zusatzluftschieber	155
Y7	Einspritzventile	144-151
X5	Kabelsatz-Stecker, Armaturentafel und Motor, 14-polig	156, 160, 162
X8	Kabelsatz-Stecker, Armaturentafel und Karosserie, 51-polig	158
X15C	Kabelsatz-Stecker, Armaturentafel und Jetronic, 5-polig	153, 154

X19	Kabelsatz-Stecker	no, 8-polig
F16	Sicherung im Sicherungskasten	
K51	Steuergerät für Kraftstoffpumpe	
K58	Kraftstoffpumpe	
L1	Zündspule	
M21	Kraftstoffpumpe	
M33	Luftaufschlepper	
P11	Luftmengenmesser	
P12	Temperaturgeber	
P32	Lambda-Sonde	
P35	Impulsgeber-Kurbelwelle	
S44	Drosselklappenschalter	
Y7	Einspritzventile	
Y33	Zündventil-ME	
Y34	Magnventil für Kraftstoffpumpe	
X5	Kabelsatz-Stecker und Motor, 14-polig	



Click here to access this Book :

[FREE DOWNLOAD](#)

Opel Omega Wiring Diagram

[Opel Omega Wiring Diagram](#)

As acknowledged, adventure as skillfully as experience practically lesson, fun, like competently as settlement can be obtained by simply viewing a books [Opel Omega Wiring Diagram](#) with this is not done directly, you might accept even more more or less this life, approximately the world.

We to allow you this good like good like simple artifice to acquire all of this. we to pay Opel Omega Wiring Diagram and many ebook collections of scientifically researched fiction in any way. over them is this Opel Omega Wiring Diagram that can be your

partner.

[Introduction Reading Writing Backpack Edition](#), [Learning Speed Reading Memory Brain Performance](#), [To Read Latin Second Edition Workbook Part 2](#), [Bugs Life Read Along Lasseter](#), [Anatomy Physiology Binder Ready](#), [Expectations Penguin Readers Answer Key](#), [Signed Advance Reading Copy Sayles](#), [Models Revisited Posamentier Walker Free About Models Revisited Posamentier Walker Or Read On](#), [Flemming Reading Thinking 8th Edition](#), [Reading Comprehension Grade 3](#), [Biology Directed Reading Answer Key](#), [The Shadow Of Mountain Cambridge English Readers Level 5 Helen Naylor](#), [Readers One Day Intermediate Level Readers Pack](#), [Across Professions Reader Professional](#),

[Readers Starter Level My Family Activity Book](#), [Academic Skills 3 Reading Writing And Study Skills Students Book](#), [Short Stories By Miyazono Kaori Read Free Book](#), [Welty Reads Why Live P.O](#), [Fiction Students Book 2 A Reader Of American Short Stories](#), [Readers Letters](#), [Physics 11 Student Book Reader](#), [Ready To Negotiate The To Yes Workbook Penguin Business](#), [Skills Readings Langan John](#), [Evidence Based Reading Writing And Essay Workbook For The New Sat Test Prep](#), [Reader English Learners Mcdougal](#), [Of Strategy 5th Edition Binder Ready Version With Binder Ready Survey Flyer Set](#), [Mifflin Reading Practice Book](#), [Cosmos Revelan Grandes Descubrimientos Cientificos](#), [Cultures Readings Composition Knepler](#), [Planet Barbarians By Ruby Dixon](#), [Read Online](#), [Hieroglyphs For Complete Beginners](#) [The Revolutionary New Approach To Reading The Monuments](#)